



PAN WORLD

Leader in Leak-free Technology



PAN WORLD

Japanese Pumping Technology

Established in 1992, Pan World is rapidly becoming a dominant market force in the global magnetic driven pump industry. Pan World offers a wide range of high quality pump with reasonable prices owned the well reputation from market.

Founded and headquartered in **Japan**, the Pan World group currently has currently individual divisions situated all over the world.

Quality

Quality is the priority of Pan World products which could be satisfied with all distributors and customers who research right product for the best solution. All our range has CE marking and most of it meets the Atex 94/9/EC directive requirements for use in potentially explosive atmospheres.

Flexible & Quick Action

To reply customer's demand Pan World pumps, parts and motors are produced by self designed own tooling and mould. Qualified engineer and flexible production easily reply and put in the action quickly for any specification changed from standard products or new inquiry.

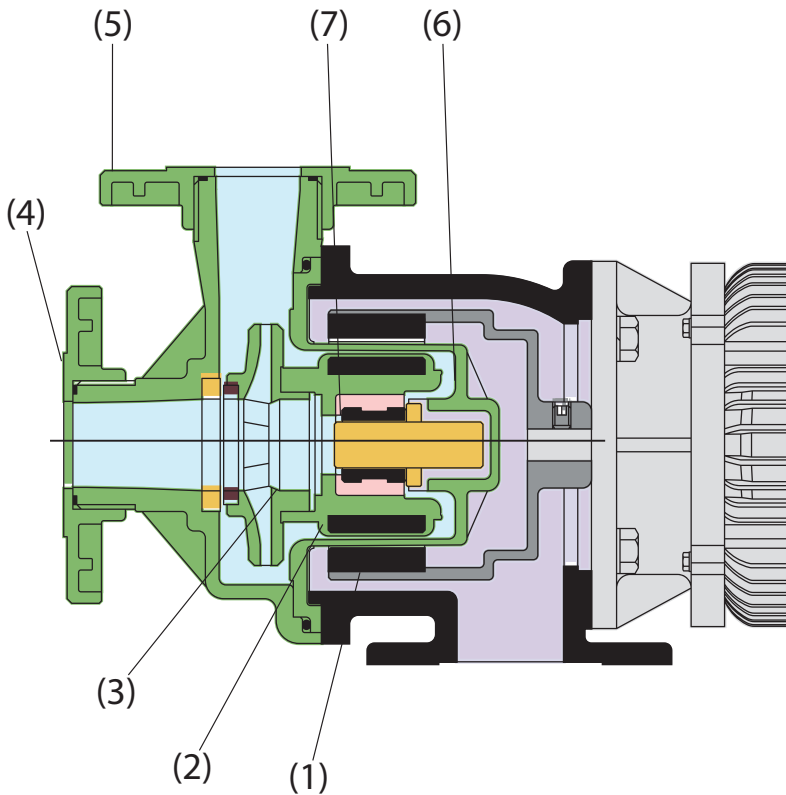
Competitive market price

Pan World pumps designed by simple parts construction and minimum engineering and production overhead to ensure we can supply the reasonable pumps price for market competition.

Quick Delivery

We keep many kinds of wetted end material for a wide range of chemical resistance, and offer quick delivery turnaround, typically in just 2 ~ 3 weeks by stock in group companies to response the customer demand.





How it works?

A high strength outer magnet (1) transmits the torque to an inner and wetted magnet (2), usually coated with PPS, ETFE or PVDF. The magnetic field produces the rotation of the impeller/magnet capsule (3), without any physical contact, thus avoiding any kind of risk of leak of the liquid.

Liquid flows through the suction (4) and to the impeller, accelerating till the discharge port (5). A small amount of the flow is then deviated to the rear casing (6) and comes back to the inlet through the small channel on the bushes (7). Several functions are assured: cooling of the magnet, minimizing the impeller thrust, lubrication of the bushes and shaft.

Dry running protection

The torque limiter helps you save time and money. It will efficiently protect your machines against damage and downtime. Early warnings for any small change in load on the motor shaft allow you to take preventative measures. The exclusive formula to measure the shaft power of the apparatus makes the only effective solution to protect your equipment.



Applications

Chemical industry: Sulfuric acid up to 98%, and many others aggressive chemicals.

Waste water: Sodium hypochlorite, Hydrochloric acid, Phosphates, Hydrogen peroxide...

Pharmaceutical industry: Sodium hydroxide 50%, CIP solutions, solvents.

Galvanic industry: Plating, etching and filtration.

For those customers who request plug and play solutions, we also provide complete solutions like loading/unloading skids with all the valves, fittings and accessories needed for a safe and easy operation.



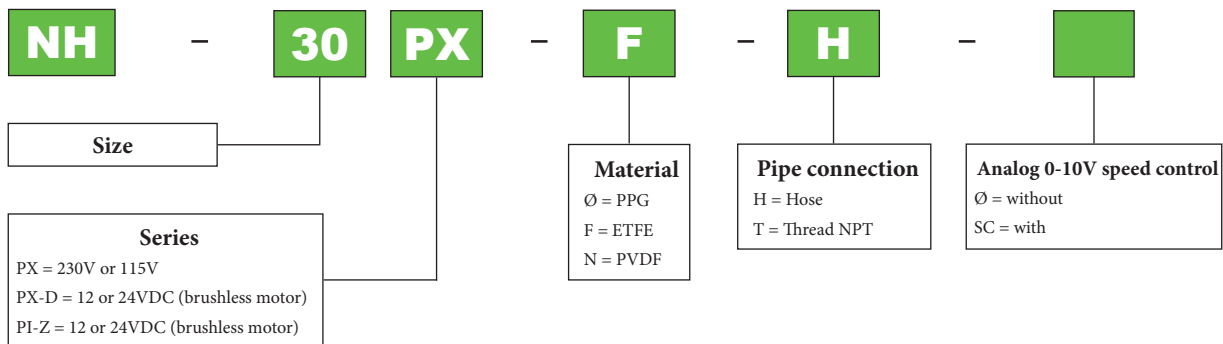
PX / PI Series

Small capacity pump with single phase motor or 24 VCC integrated. It is aimed at original equipment ranges, fertigation, ice machines, food equipment water testing...

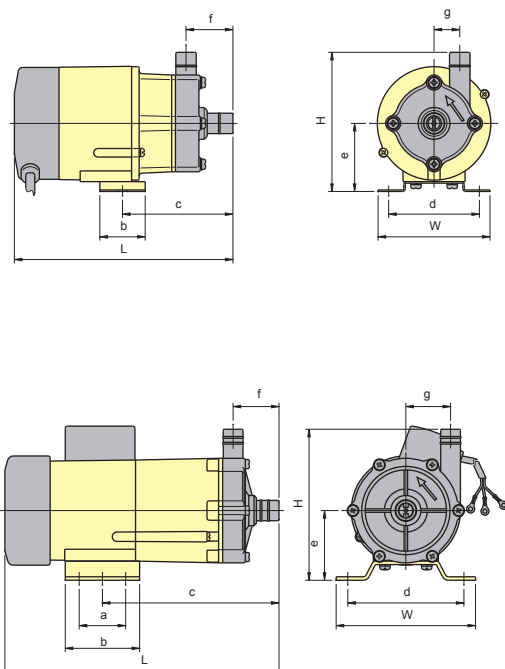


- Construction Materials: Polypropylene, PVDF or ETFE
- Fittings: BSP, hose spigot
- Flow rate up to 80 L/Min and height 21 m.C.I.

Ordering Information



Installation Dimensions



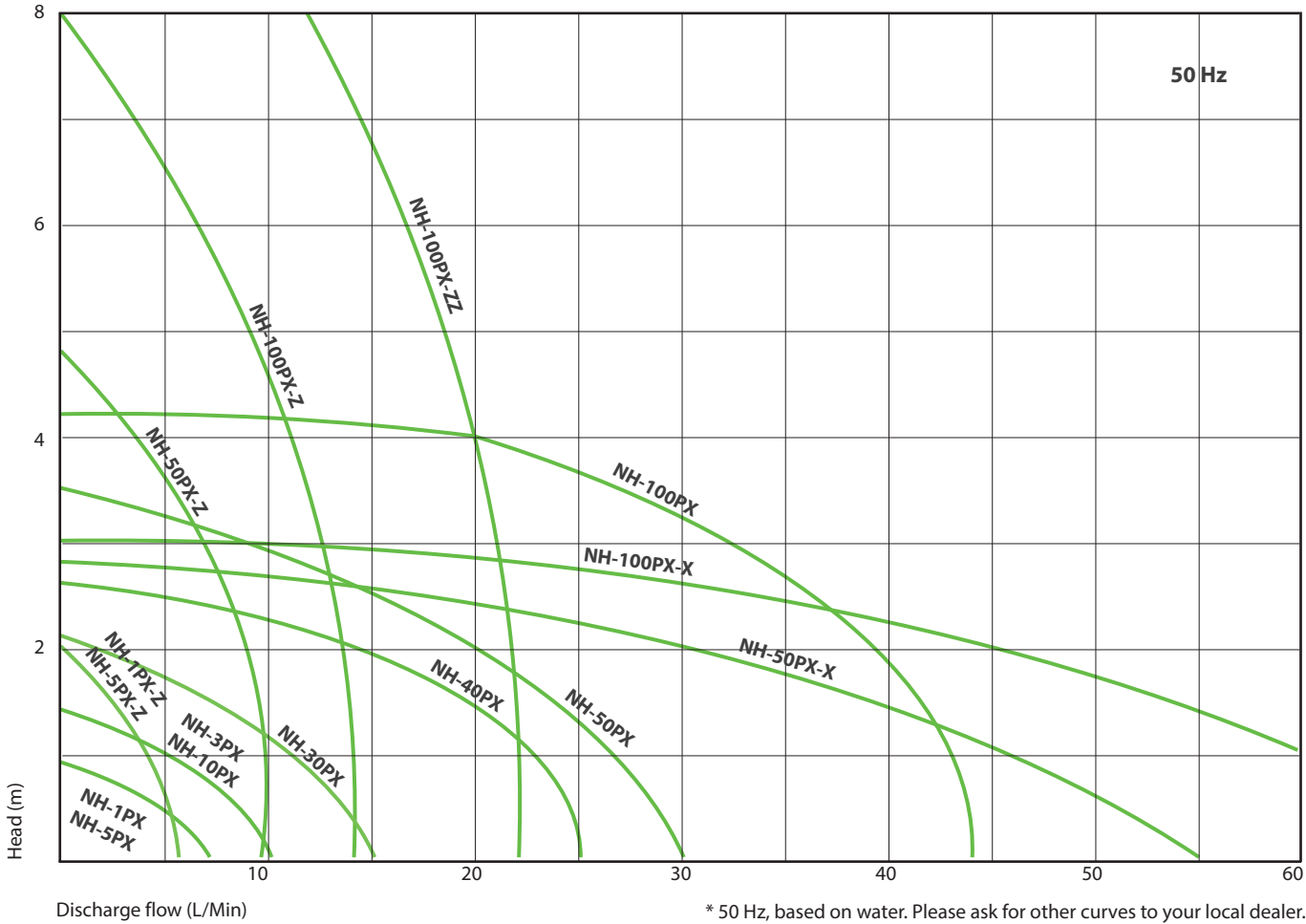
(mm)

Model	W	H	L	a	b	c	d	e	f	g
NH-1PX / 1PX-Z / 3PX	70	92	102	0	30	70	60	45	28	17
NH-5PX / 5PX-Z / 10PX	74	92	145	0	30	73	60	45	31	17
NH-5PX-D / 5PX-Z-D / 10PX-D	74	92	98	0	30	65	60	45	24	17
NH-5PI-Z-D / 10PI-Z-D	74	90	100	0	30	68	60	45	27	21
NH-15PI-Z-D / 20PI-Z-D	112	119	118	0	30	75	97	49	31	36
NH-30PI-Z-D	112	119	123	0	30	75	97	49	31	36
NH-40PI-Z-D	120	150	164	40	64	119	100	60	39	45
NH-30PX	95	115	197	30	50	117	68	55	39	22
NH-30PX-D	95	115	172	30	50	111	68	55	39	22
NH-40PX	95	115	210	30	50	132	68	55	39	29
NH-40PX-D	95	115	175	30	50	114	68	55	39	29
NH-50PX-Z	95	125	226	30	50	134	68	55	40	39
NH-50PX-Z-D	95	125	190	30	50	129	68	55	40	39
NH-50PX	120	130	247	40	64	169	100	60	48	31
NH-50PX-X	120	130	255	40	64	177	100	60	50	26
NH-100PX-Z	120	130	236	40	64	152	100	60	40	39
NH-100PX	120	130	262	40	64	169	100	60	48	31
NH-100PX-X	120	135	270	40	64	177	100	60	50	26
NH-100PX-ZZ	120	150	244	40	64	160	100	60	39	45
NH-100PI-Z-D	90	152	215	40	70	73	70	62	41	52

PX / PI Series

PX Performance curve

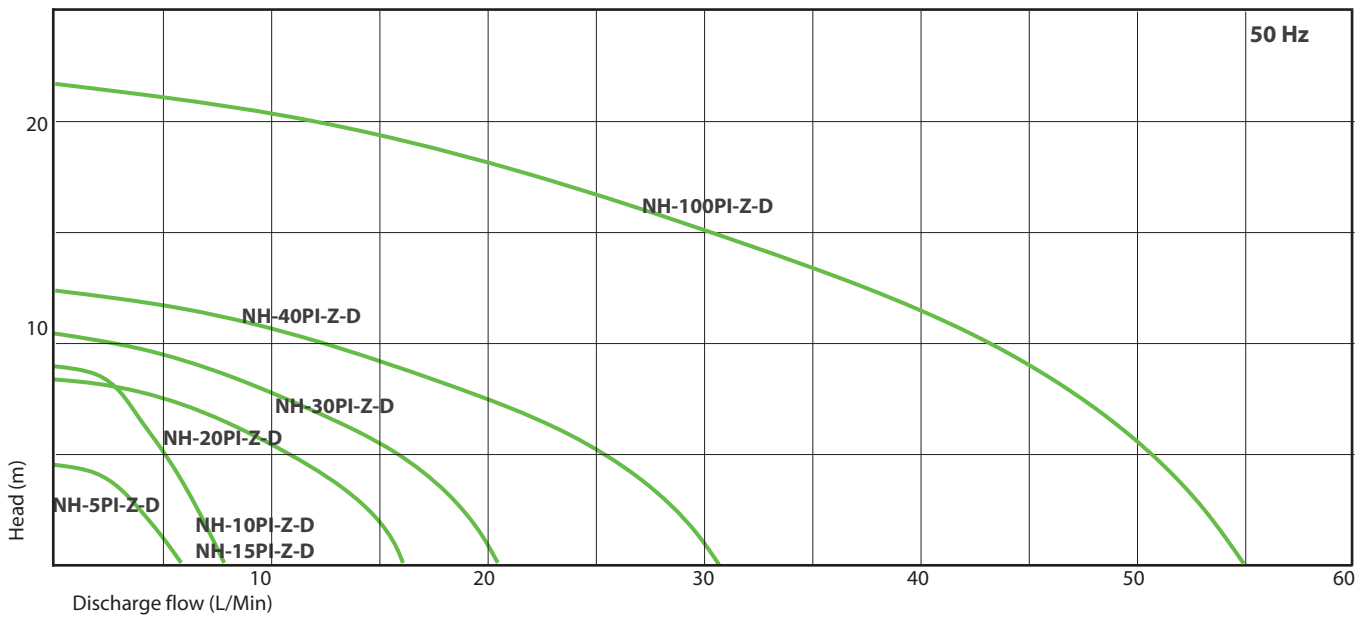
Nominal speed: 2500 r.p.m



* 50 Hz, based on water. Please ask for other curves to your local dealer.

PI Performance curve

Nominal speed: 2500 r.p.m



PX / PI Series

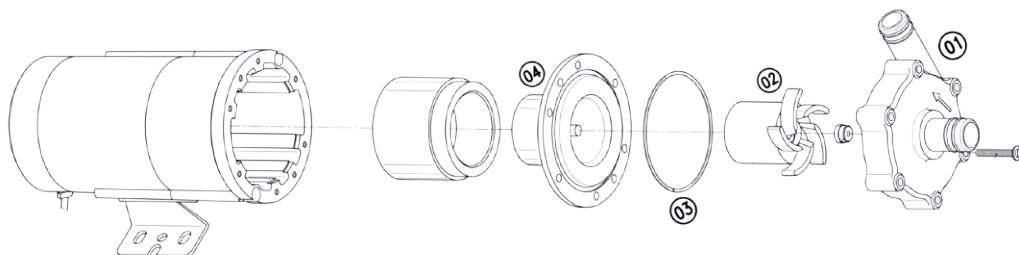
PX Specification table

Model	Connection method		Performance 50 Hz			Motor output	Net weight with motor
	in x outlet	in x outlet	Max head	Max flow	Nominal speed		
	hose (mm)	thread (inch)	m	l/min	r.p.m.		
NH-1PX / 5PX	14 x 14	G1/2 x 1/2	1.0	7.0	2500	2.0	0.8 / 1.0
NH-1PX-Z / 5PX-Z	14 x 14	G1/2 x 1/2	2.0	5.5	2500	5.0	0.8 / 1.0
NH-3PX / 10PX	14 x 14	G1/2 x 1/2	1.4	10.0	2500	5.0	1.0
NH-5PX-D	14 x 14	G1/2 x 1/2	1.9	13.5	3500	8.0	0.7
NH-5PX-Z-D	14 x 14	G1/2 x 1/2	2.8	11.5	3500	10.0	0.7
NH-10PX-D	14 x 14	G1/2 x 1/2	2.5	14.0	3500	10.0	0.7
NH-30PX	14 x 14	G3/4 x 3/4	2.1	15.0	2500	10.0	1.7
NH-30PX-D	14 x 14	G3/4 x 3/4	3.6	21.0	3500	20.0	1.2
NH-40PX	18 x 18	G3/4 x 3/4	2.6	25.0	2500	20.0	2.0
NH-40PX-D	18 x 18	G3/4 x 3/4	4.0	30.0	3500	30.0	1.4
NH-50PX-Z	18 x 18	G3/4 x 3/4	4.8	9.5	2500	20.0	1.5
NH-50PX-Z-D	18 x 18	G3/4 x 3/4	5.0	13.5	2700	30.0	1.2
NH-50PX	20 x 20	G3/4 x 3/4	3.5	30.0	2500	45.0	3.0
NH-50PX-X	26 x 26	G1 x 1	2.8	55.0	2500	45.0	3.0
NH-100PX-Z	18 x 18	G3/4 x 3/4	8.0	14.0	2500	45.0	3.6
NH-100PX	20 x 20	G3/4 x 3/4	4.2	43.0	2500	65.0	3.6
NH-100PX-X	26 x 26	G1 x 1	3.0	70.0	2500	65.0	3.6
NH-100PX-ZZ	20 x 20	G3/4 x 3/4	11.5	22.0	2700	65.0	3.5

PI Specification table

Model	Connection method		Performance 50Hz			Motor output	Net weight with motor
	in x outlet	in x outlet	Max head	Max flow	Nominal speed		
	hose (mm)	thread (inch)	m	l/min	r.p.m.		
NH-5PI-Z-D	8 x 14	G1/2 x 1/2	4.5	6.0	3700	10.0	0.7
NH-10PI-Z-D	8 x 14	G1/2 x 1/2	9.0	6.0	5450	20.0	0.7
NH-15PI-Z-D	8 x 18	G1/2 x 1/2	9.0	8.0	3200	20.0	1.5
NH-20PI-Z-D	18 x 18	G3/4 x 3/4	8.2	16.0	3000	30.0	1.5
NH-30PI-Z-D	18 x 18	G3/4 x 3/4	11.0	20.0	3300	45.0	1.6
NH-40PI-Z-D	20 x 20	G3/4 x 3/4	13.6	29.0	3500	85.0	2.2
NH-100PI-Z-D	20 x 16	G3/4 x 3/8	21.1	54.0	3000	85.0	5.0

Parts Lists



No.	Description	Materials		
		PX	PX-N	PX-F
1	Front casing	PPG	PVDF	ETFE
2	Impeller & bearing & Mg Capsule	PPG & ceramic	PVDF & ceramic / PVDF & SiC	ETFE & ceramic / ETFE & SiC
3	O-Ring	FKM / EPDM /NBR	FKM / EPDM /NBR	FKM / EPDM /NBR
4	Rear Casing & spindle	PPG & ceramic	PVDF & ceramic / PVDF & SiC	ETFE & ceramic / ETFE & SiC

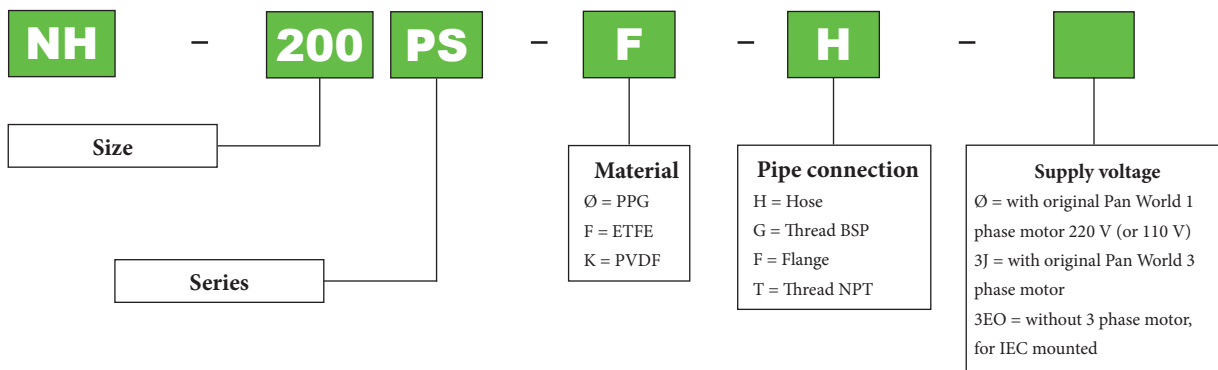
PS Series



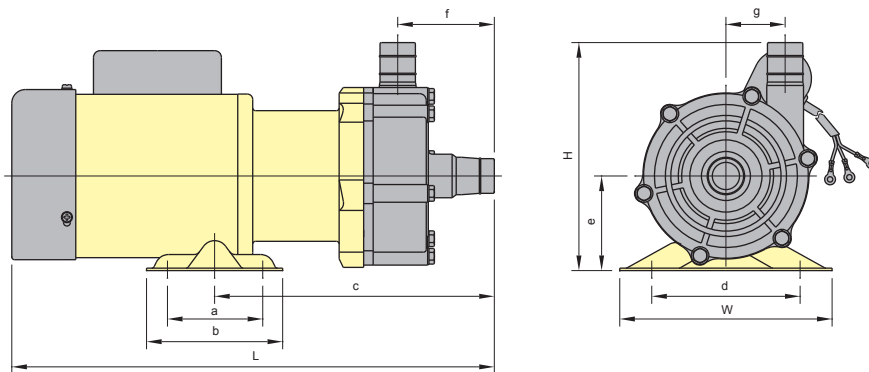
Medium capacity pump with integrated single or three-phase motor. Aimed at OEM, fertigation, ice machines, food equipment water testing.

- Construction materials: PPG, PVDF or ETFE
- Connections: Thread NPT or BSP, hose spigot, DIN or ANSI Flanges
- Flow rate (50Hz) up to 120 L/min and total discharge head of 20 m.

Ordering Information



Installation Dimensions

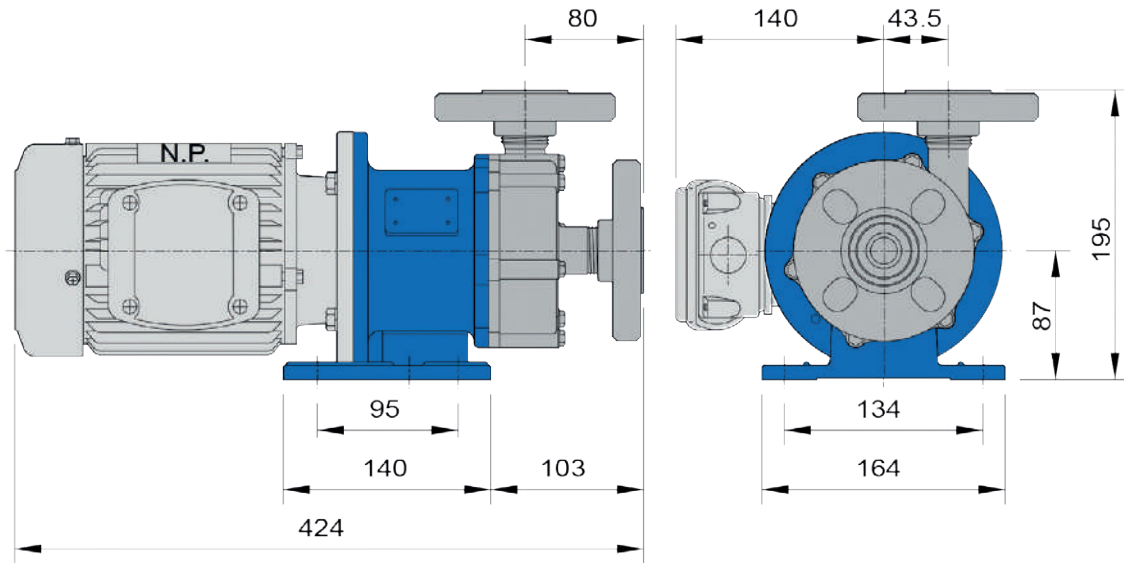


(mm)

Model	W	H	L	a	b	c	d	e	f	g
NH-125PS	120	135	255	43	62	175	89	60	50	26
NH-150PS / 150PS-3J	120	164	300	40	64	199	100	66	70	44
NH-200PS / 200PS-Z	156	165	355	70	100	205	110	66	70	44
NH-200PS-3J / 200PS-Z-3J	156	165	345	70	100	205	110	66	70	44
NH-250PS / 275PS NH-250PS-3J / 275PS-3J"	156	165	365	70	100	195	110	66	70	44
NH-300PS	156	175	385	80	110	200	140	75	55	59
NH-300PS-3J	160	175	375	80	110	200	140	75	55	59

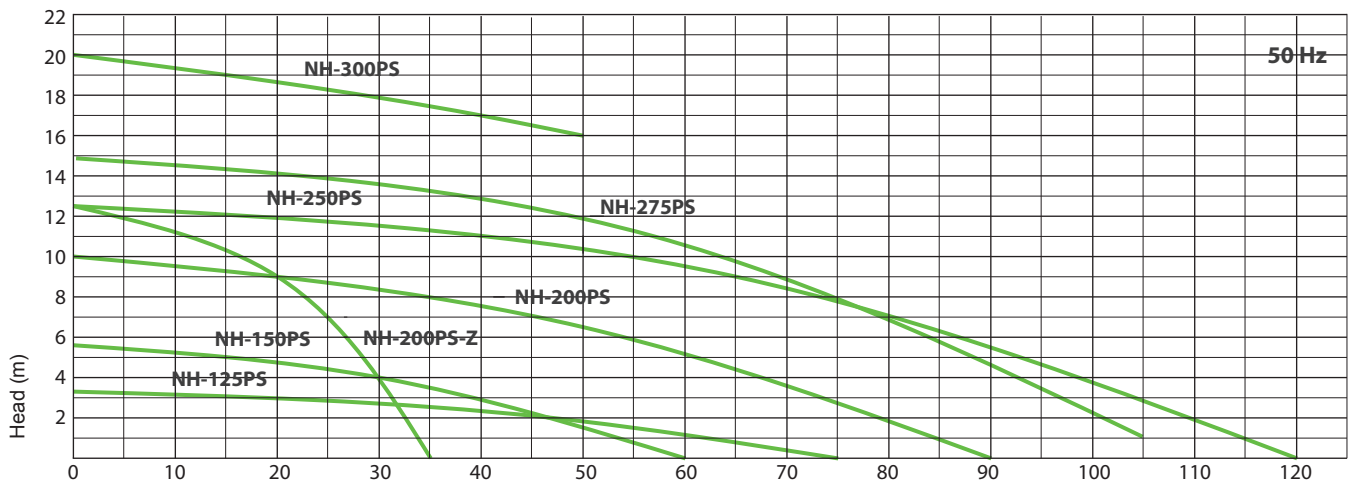
PS Series

Installation Dimensions 250PS IEC / 250PS-F IEC



PS Performance curve

Nominal speed : 2700 r.p.m



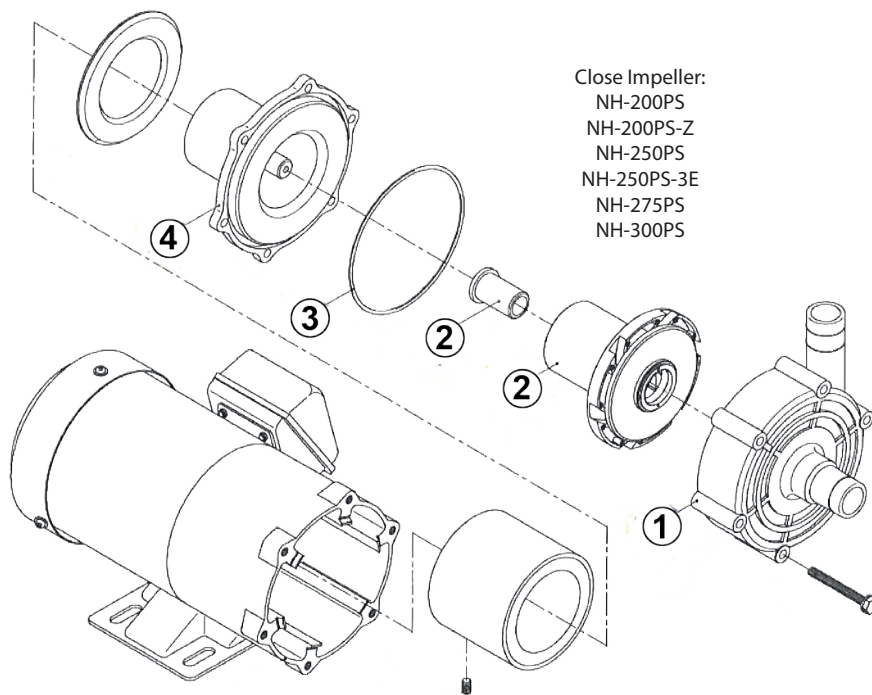
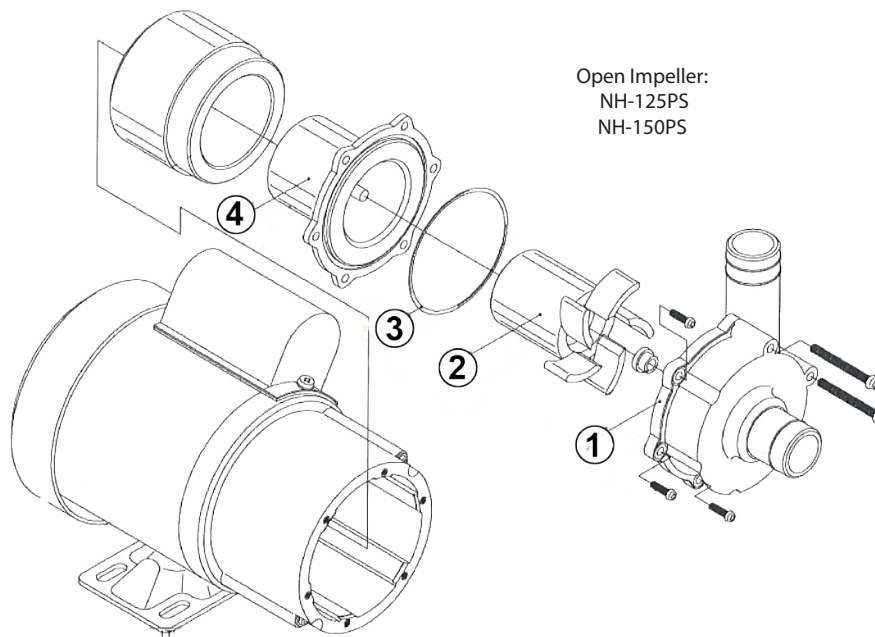
Discharge flow (L/Min)

* 50 Hz, based on water. Please ask for adapted curves for others SG and Hz to your local dealer.

PS Specification table

Model	Connection method			Performance 50 Hz			Motor output W	Net weight with motor Kg
	in x outlet	in x outlet	in x outlet	Max head	Max flow	Nominal speed		
	hose (mm)	thread (inch)	flange (mm)	m	l/min	r.p.m.		
NH-125PS	26 x 26	G1 x 1	3	75	2500	90	5
NH-150PS / 150PS-3J	26 x 26	G1 x 1	25 x 25	6	60	2500	130	7
NH-200PS / 200PS-3J	26 x 26	G1 x 1	25 x 25	9	90	2700	180	10
NH-200PS-Z / 200PS-Z-3J	26 x 26	G1 x 1	25 x 25	14	35	2500	290	10
NH-250PS / 250PS-3J	26 x 26	G1 x 1	25 x 25	13	108	2700	250	11
NH-250PS-3E	26 x 26	G1 x 1	25 x 25	14	120	2700	250	8
NH-275PS / 275PS-3J	26 x 26	G1 x 1	25 x 25	15	110	2700	390	11
NH-300PS / 300PS-3J	26 x 20	G1 x 3/4	20	50	2700	460	17

Parts Lists



No.	Description	Materials		
		PS	PS-K	PS-F
1	Front casing	PPG	PVDF	ETFE
2	Impeller & bearing & Mg Capsule	PPG & Ceramic	PVDF & Rulon	ETFE & Ceramic
		PPG & Rulon		ETFE & Rulon
		PPG & Carbon	PVDF & Carbon	ETFE & Carbon
3	O-Ring	FKM	FKM	FKM
		EPDM	EPDM	EPDM
		NBR	NBR	NBR
4	Rear Casing & spindle	PPG & Ceramic	PVDF & Ceramic	ETFE & Ceramic
				ETFE & SiC

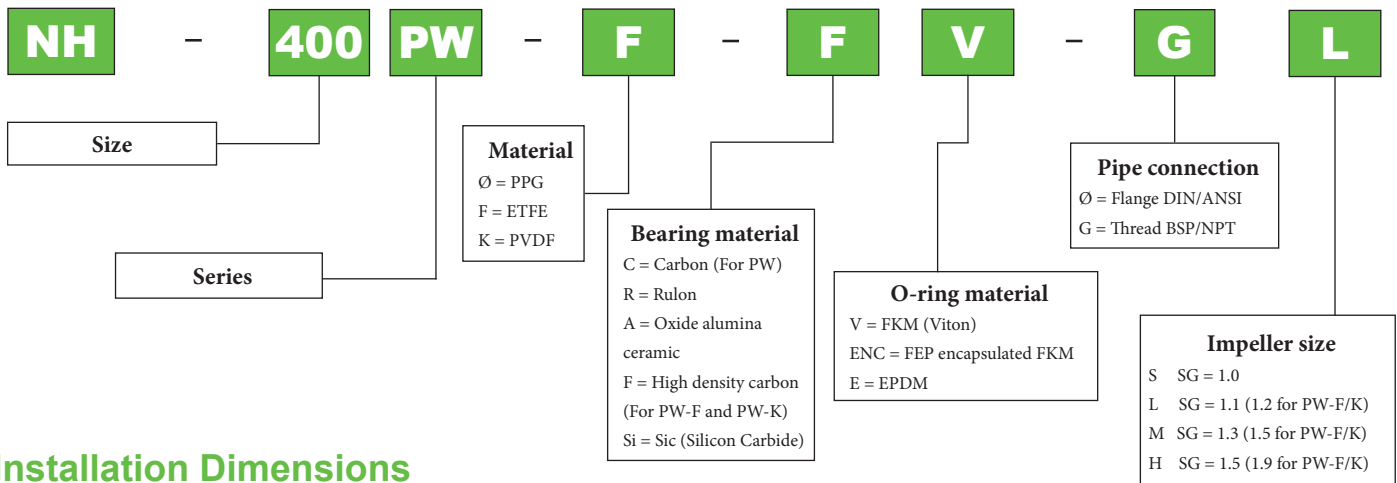
PW Series

Industrial pump for chemicals, with possibility of Atex certification for ETFE models. For industrial use general, chemical process, tanks loading and unloading, absorption towers...

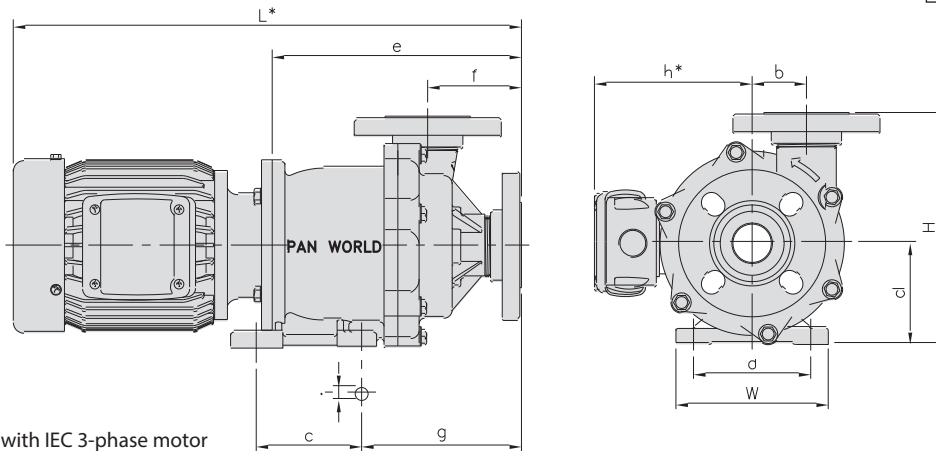


- Construction materials: PPG, PVDF or ETFE
- Connections: Threaded NPT or BSP, DIN or ANSI Flanges
- Flow rate (50Hz) up to 1400 L/min and total discharge head of 34 m.

Ordering Information



Installation Dimensions



* Standard dimensions with IEC 3-phase motor

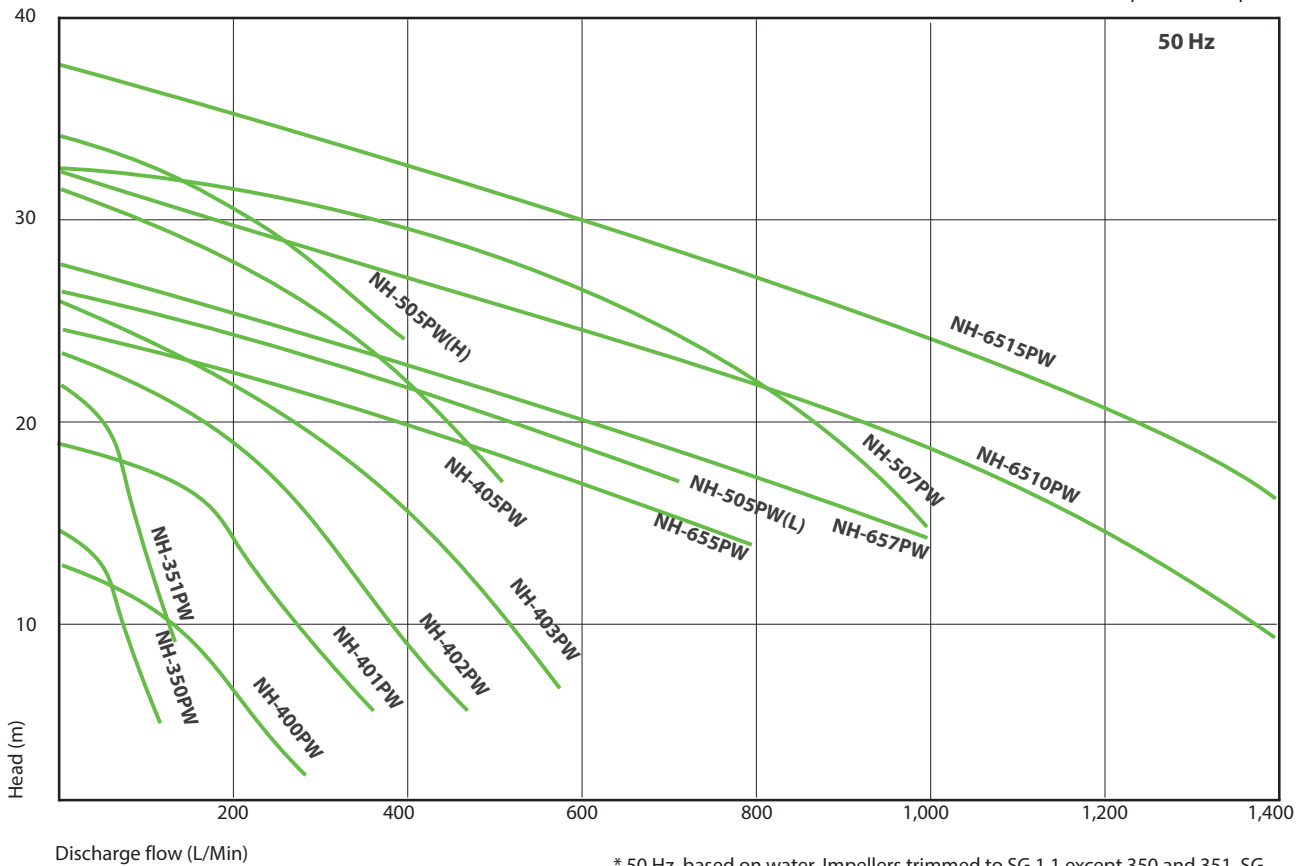
(mm)

Model	W	H	L*	a	b	c	d	e	f	g	h*	i
NH-350PW	157	248	466	130	76	130	115	226	82	155	146	12
NH-351PW	160	248	463	130	76	130	115	230	82	164	152	12
NH-352PW	160	242	506	130	57	132	120	223	78	155	149	12
NH-353PW	160	242	506	130	57	132	120	223	78	155	149	12
NH-400PW	140	216	473	110	51	98	95	233	87	150	151	12
NH-401PW	160	254	488	130	58	130	115	256	103	184	160	12
NH-402PW	260	255	620	208	65	200	115	305	89	158	176	14
NH-403PW	260	255	620	208	65	200	115	305	89	158	176	14
NH-405PW	260	270	689	208	65	200	130	326	89	158	208	14
NH-505PW	260	319	651	220	60	300	162	288	90	123	208	14
NH-507PW	260	319	677	220	60	300	162	312	90	123	252	14
NH-655PW	260	360	723	210	85	270	175	360	118	240	208	14
NH-657PW	260	360	745	210	85	270	175	380	118	240	252	14
NH-6510PW	260	360	745	210	85	270	175	380	118	240	252	14
NH-6515PW	350	385	919	300	85	270	200	409	118	240	285	14

PW Series

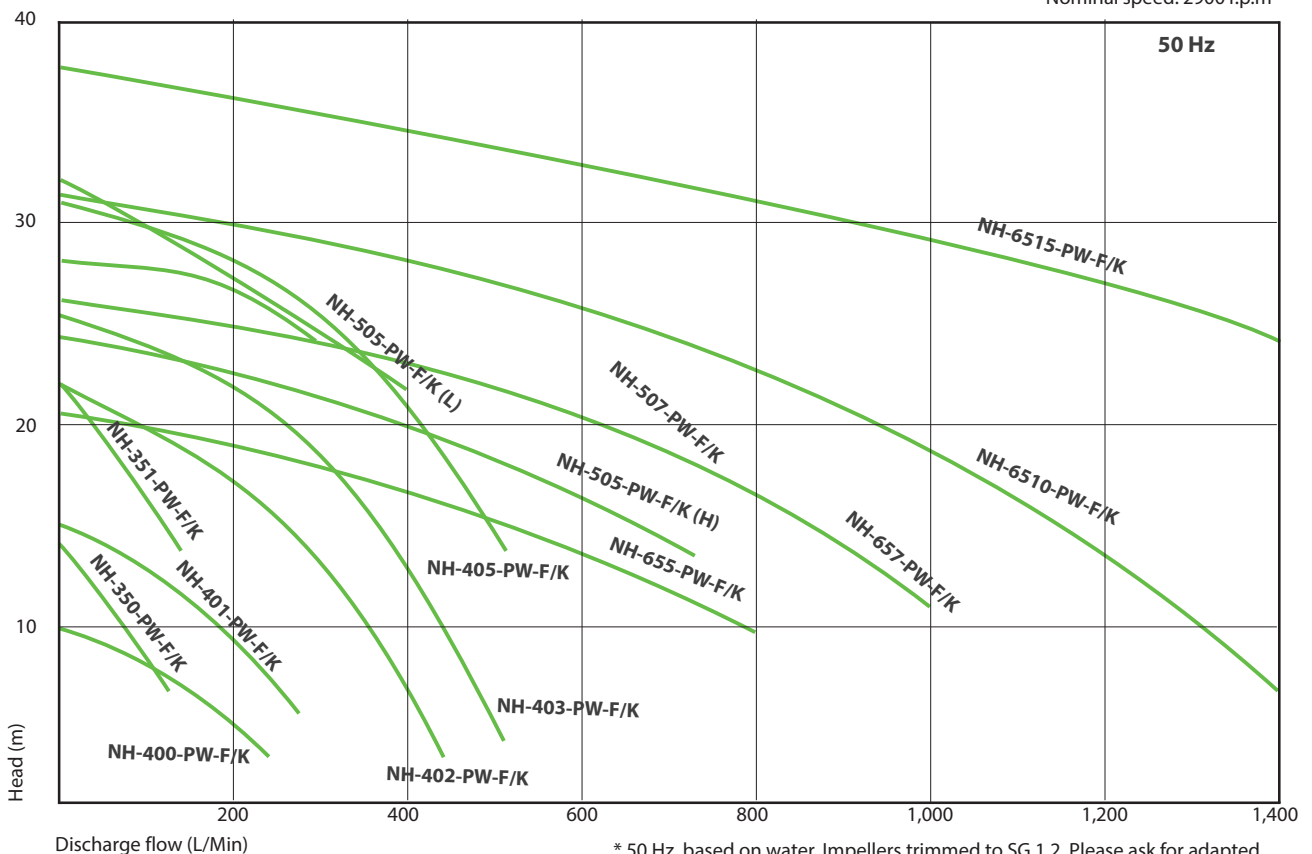
PW Performance curve

Nominal speed: 2900 r.p.m



PW-K / PW-F Performance curve

Nominal speed: 2900 r.p.m



PW Series

PW Specification table

Model	Connection method		Performance 50 Hz (3000 rpm)			Motor output	Net weight with motor
	in x outlet	in x outlet	Max head	Max flow	Specific gravity		
	flange (mm)	thread (inch)	m	l/min	(**)	kW	Kg
NH-350PW	25 x 25	G1 x 1	15	125	1.0	0,37	14
NH-351PW	25 x 25	G1 x 1	23	135	1.0	0,75	20
NH-352PW	32 x 32	G1 1/4 x 1 1/4	30	180	1.0	1,5	34
NH-353PW	32 x 32	G1 1/4 x 1 1/4	34	240	1.0	2,2	37
NH-400PW	40 x 40	G1 1/2 x 1 1/2	11	160	1.1	0,37	14
NH-401PW	40 x 40	G1 1/2 x 1 1/2	17	360	1.1	0,75	23
NH-402PW	50 x 40	G2 x 1 1/2	23	480	1.1	1,5	37
NH-403PW	50 x 40	G2 x 1 1/2	26	530	1.1	2,2	39
NH-405PW	50 x 40	G2 x 1 1/2	32	510	1.1	4,0	57
NH-505PW	65 x 50	G2 1/2 x 2	27	700	1.1	4,0	58
NH-507PW	65 x 50	G2 1/2 x 2	32	950	1.1	5,5	77
NH-655PW	80 x 65	23	800	1.1	4,0	75
NH-657PW	80 x 65	27	1000	1.1	5,5	90
NH-6510PW	80 x 65	32	1400	1.1	7,5	109
NH-6515PW	80 x 65	37	1400	1.1	11,0	137

(*) IEC aluminium motor

(**) Impellers trimmed to SG 1.1 (except 350 to 353, SG 1.0).

PW-F/K Specification table

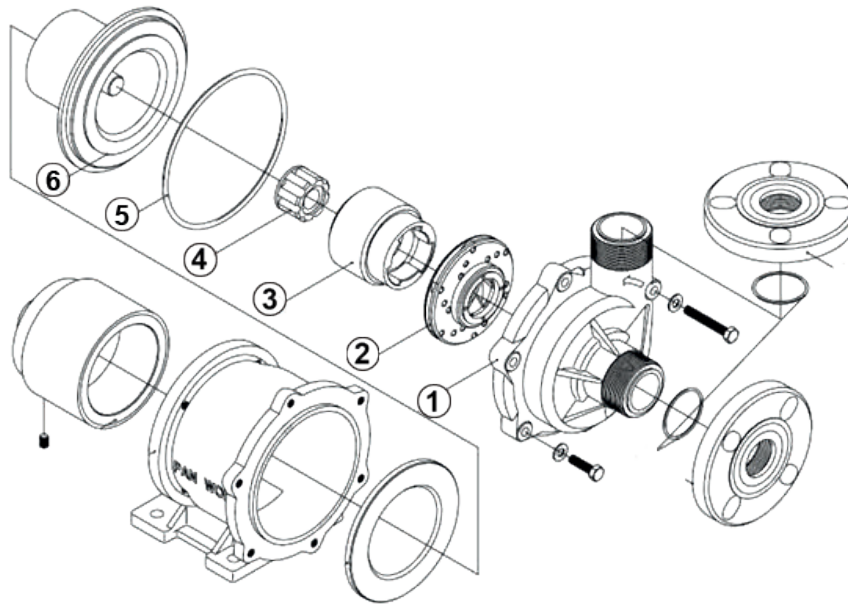
Model	Connection method		Performance 50 Hz (3000 rpm)			Motor output	Net weight with motor
	in x outlet	in x outlet	Max head	Max flow	Specific gravity		
	flange (mm)	thread (inch)	m	l/min	(**)	kW	Kg
NH-350PW-F / PW-K	25 x 25	G1 x 1	14	130	1.2	0,37	14
NH-351PW-F / PW-K	25 x 25	G1 x 1	22	110	1.2	0,75	20
NH-352PW-F / PW-K	32 x 32	G1 1/4 x 1 1/4	27	220	1.2	1,5	34
NH-353PW-F / PW-K	32 x 32	G1 1/4 x 1 1/4	30	265	1.2	2,2	37
NH-400PW-F / PW-K	40 x 40	G1 1/2 x 1 1/2	10	230	1.2	0,37	14
NH-401PW-F / PW-K	40 x 40	G1 1/2 x 1 1/2	15	260	1.2	0,75	24
NH-402PW-F / PW-K	50 x 40	G2 x 1 1/2	23	440	1.2	1,5	37
NH-403PW-F / PW-K	50 x 40	G2 x 1 1/2	25	530	1.2	2,2	39
NH-405PW-F / PW-K	50 x 40	G2 x 1 1/2	31	550	1.2	4,0	57
NH-505PW-F / PW-K	65 x 50	G2 1/2 x 2	25	700	1.2	4,0	58
NH-507PW-F / PW-K	65 x 50	G2 1/2 x 2	29	950	1.2	5,5	77
NH-655PW-F / PW-K	80 x 65	19	800	1.2	4,0	75
NH-657PW-F / PW-K	80 x 65	26	1000	1.2	5,5	90
NH-6510PW-F / PW-K	80 x 65	31	1400	1.2	7,5	109
NH-6515PW-F / PW-K	80 x 65	37	1400	1.2	11,0	137

(*) IEC aluminium motor

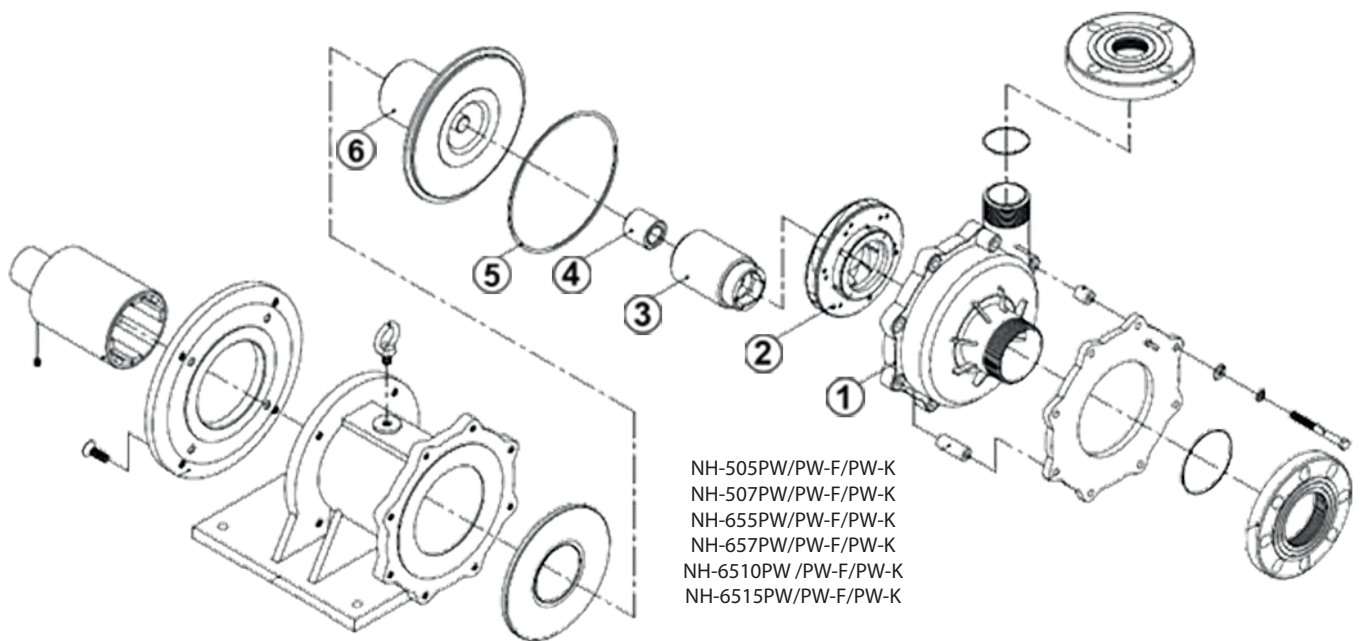
(**) Impellers trimmed to SG 1.2.

PW Series

Parts Lists



NH-350PW/PW-F/PW-K
 NH-351PW/PW-F/PW-K
 NH-352PW/PW-F/PW-K
 NH-353PW/PW-F/PW-K
 NH-400PW /PW-F/PW-K
 NH-401PW/PW-F/PW-K
 NH-402PW/PW-F/PW-K
 NH-403PW/PW-F/PW-K
 NH-405PW/PW-F/PW-K



NH-505PW/PW-F/PW-K
 NH-507PW/PW-F/PW-K
 NH-655PW/PW-F/PW-K
 NH-657PW/PW-F/PW-K
 NH-6510PW /PW-F/PW-K
 NH-6515PW/PW-F/PW-K

No.	Description	Materials		
		PW	PW-K	PW-F
1	Front casing	PPG	PVDF	ETFE
2	Impeller	PPG	PVDF	ETFE
3	MG Capsule	PPG	PVDF	ETFE
4	Sleeve Bearing Unit	Rulon	Rulon	Rulon
		Oxide Alumina Ceramic	Oxide Alumina Ceramic	Oxide Alumina Ceramic
		SiC	SiC	SiC
		Carbon	High density carbon	High density carbon
5	O-Ring	FKM	FKM	FKM
		EPDM	EPDM	EPDM
		FEP encapsulated FKM	FEP encapsulated FKM	FEP encapsulated FKM
6	Rear Casing	PPG	PVDF	ETFE

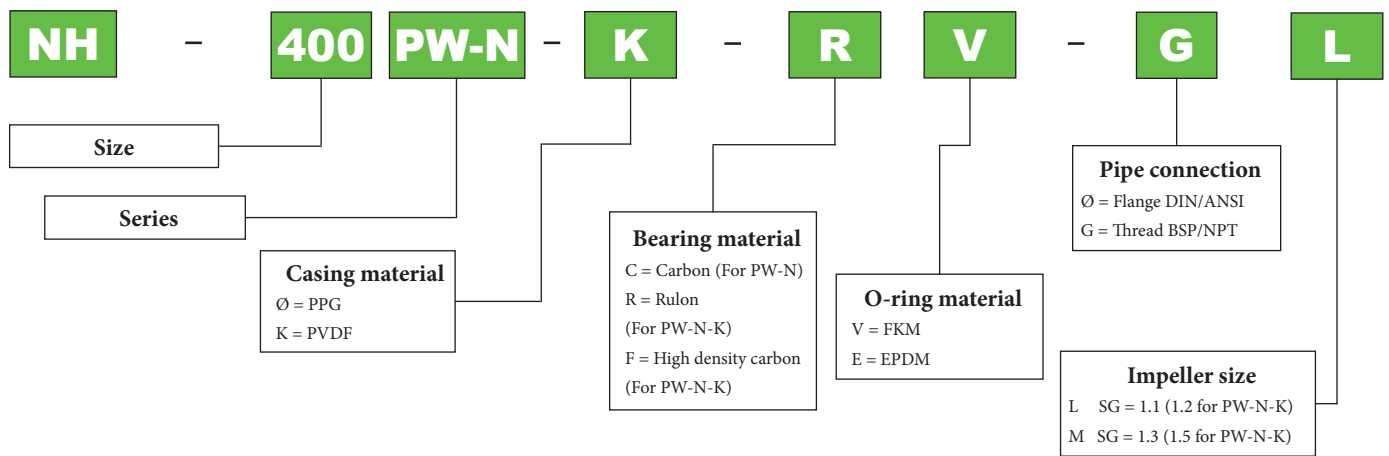
PW-N Series

Self-priming industrial pumps for chemicals. Derived from the PW series. For general industry, unloading of tank trucks, transfer from negative tank underground.

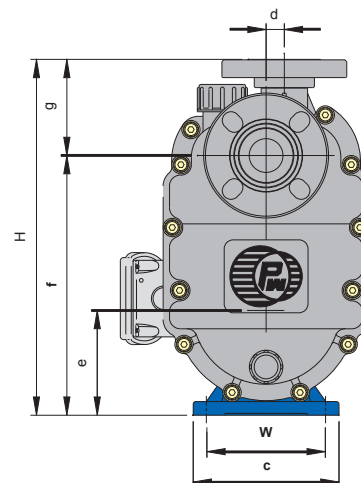
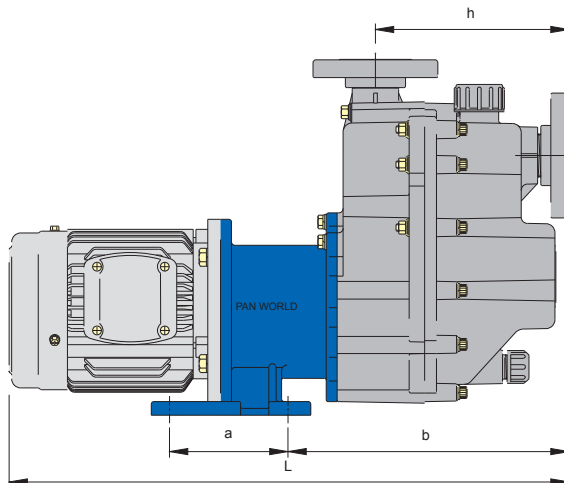


- Construction Materials: PPG or PVDF
- Fittings: Threaded NPT or BSP, DIN or ANSI Flanges
- Flow rate (50Hz) up to 600 L/min and total discharge head of 30 m.
- Max suction lift head up to 4 m.

Ordering Information



Installation Dimensions



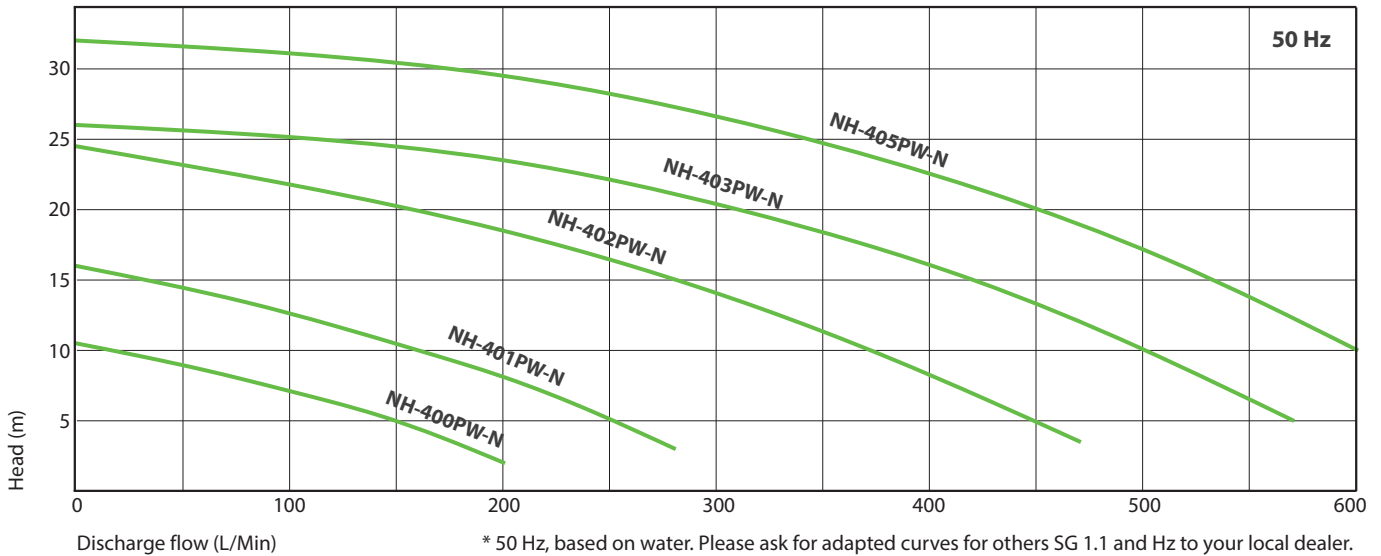
(mm)

Model	W	H	L	a	b	c	d	e	f	g	h
NH-400PW-N	160	390	613	130	308	130	20	115	285	105	212
NH-401PW-N	160	390	615	130	308	130	20	115	285	105	212
NH-402PW-N	260	420	794	200	333	208	30	115	315	105	250
NH-403PW-N	260	420	794	200	333	208	30	115	315	105	250
NH-405PW-N	260	435	866	200	333	208	30	130	330	105	250

PW-N Series

PW-N Performance curve

Nominal speed : 2900 r.p.m



PW-N Specification table

Model	Connection method		Performance 50 Hz (3000 rpm)			Max self priming head	Motor output	Net weight with motor (*)
	in x outlet	in x outlet	Max head	Max flow	Specific gravity (**)			
	flange (mm)	thread (inch)	m	l/min		m	kW	Kg
NH-400PW-N	40 x 40	G1 1/2 x 1 1/2	11	240	1.1	3	0,37	22
NH-401PW-N	40 x 40	G1 1/2 x 1 1/2	16	320	1.1	3	0,75	30
NH-402PW-N	50 x 40	G2 x 1 1/2	25	470	1.1	4	1,5	42
NH-403PW-N	50 x 40	G2 x 1 1/2	26	570	1.1	4	2,2	44
NH-405PW-N	50 x 40	G2 x 1 1/2	32	600	1.1	4	4,0	63

(*) IEC aluminium motor

(**) Impellers trimmed to SG 1.1..

PW-N-K Specification table

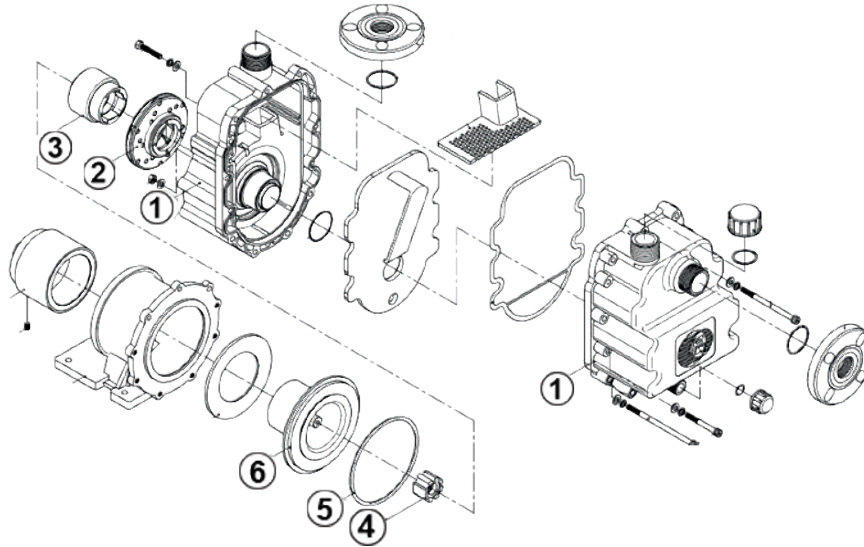
Model	Connection method		Performance 50 Hz (3000 rpm)			Max self priming head	Motor output	Net weight with motor (*)
	in x outlet	in x outlet	Max head	Max flow	Specific gravity (**)			
	flange (mm)	thread (inch)	m	l/min		m	kW	Kg
NH-400PW-N-K	40 x 40	G1 1/2 x 1 1/2	10	240	1.2	3	0,37	22
NH-401PW-N-K	40 x 40	G1 1/2 x 1 1/2	15	320	1.2	3	0,75	30
NH-402PW-N-K	50 x 40	G2 x 1 1/2	23	470	1.2	4	1,5	42
NH-403PW-N-K	50 x 40	G2 x 1 1/2	24	570	1.2	4	2,2	44
NH-405PW-N-K	50 x 40	G2 x 1 1/2	30	600	1.2	4	4,0	63

(*) IEC aluminium motor

(**) Impellers trimmed to SG 1.2.

PW-N Series

Parts Lists

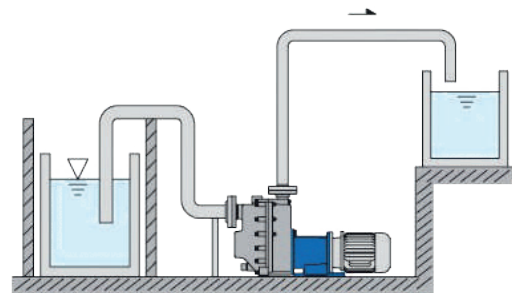
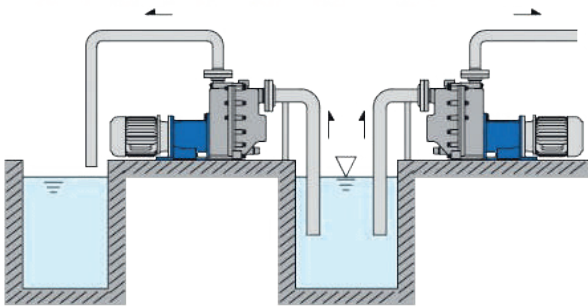


No.	Description	Materials	
		PW-N	PW-N-K
1	Front casing	PPG	PVDF
2	Impeller	PPG	PVDF
3	MG Capsule	PPG	PVDF
4	Sleeve Bearing Unit	Carbon	Carbon
			High density carbon
			Rulon
5	O-Ring	FKM	FKM
		EPDM	EPDM
6	Rear Casing	PPG	PVDF

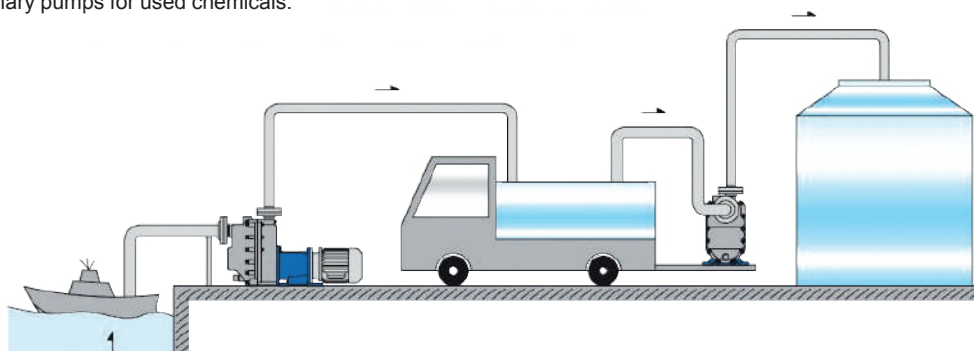
Typical Application

A. Suction of underground tanks, or installations with the pump in high position on the tank.

B. Can replace wet barrel pumps.



C. On-board or stationary pumps for used chemicals.



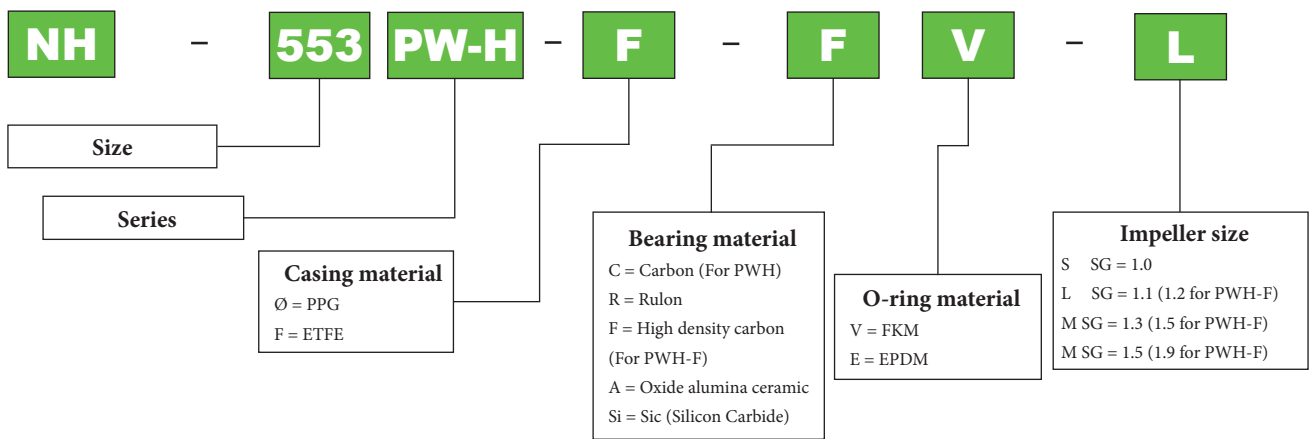
PW-H Series



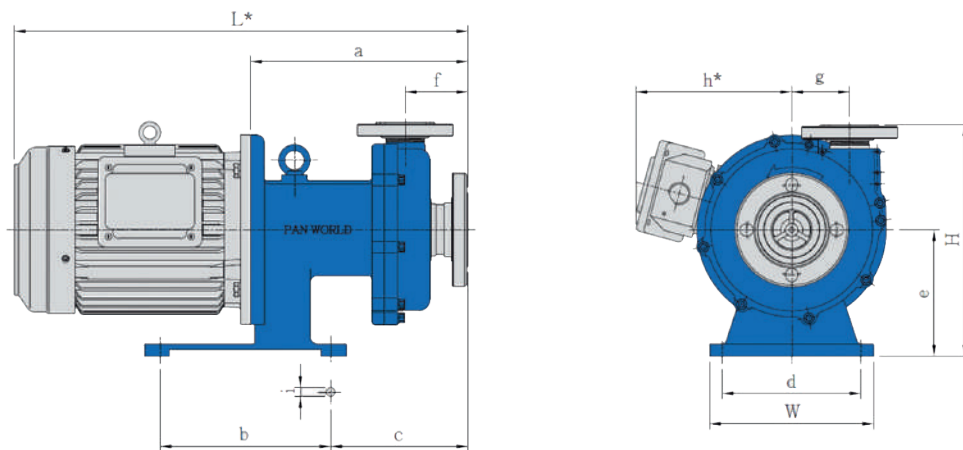
High lift head industrial pump for chemicals, with possibility of ATEX certification for ETFE models.

- Construction materials: PPG and ETFE
- Connections: DIN or ANSI Flanges
- Flow rate (50Hz) up to 900 L/min and total discharge head of 49 m.

Ordering Information



Installation Dimensions



* Standard dimensions with IEC 3-phase motor

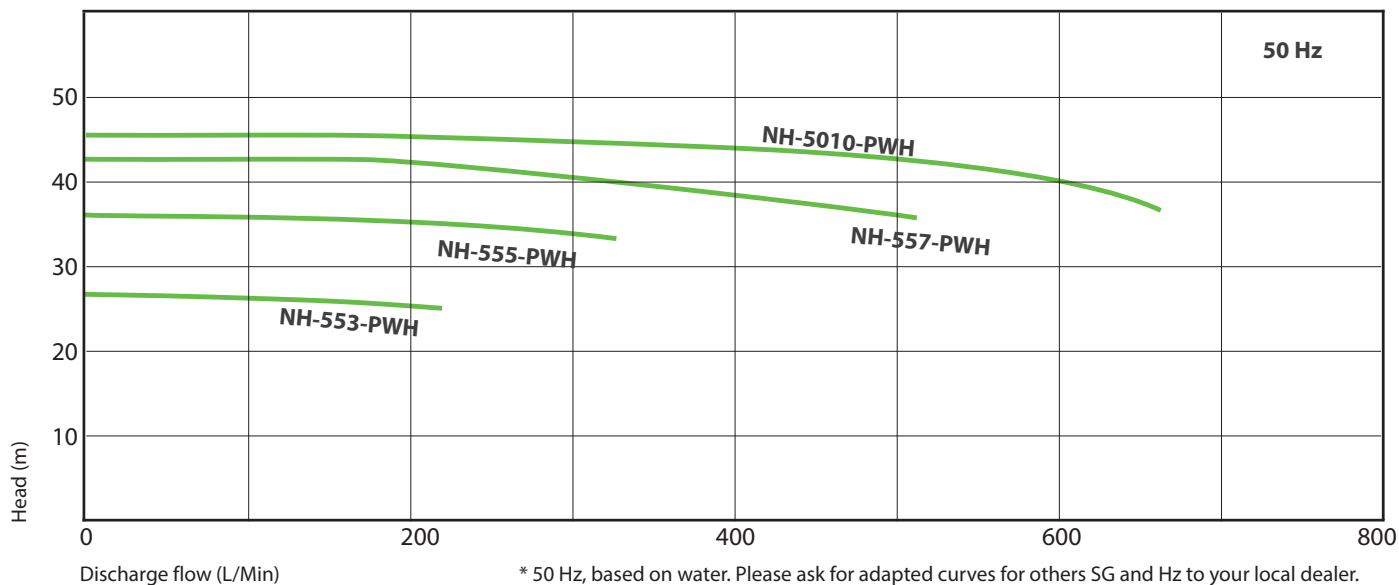
(mm)

Model	W	H	L*	a	b	c	d	e	f	g	h*	i
NH-553PWH/PWH-F	260	316	596	313	250	215	210	150	100	92	170	14
NH-555PWH/PWH-F	260	316	690	325	250	215	210	150	100	92	203	14
NH-557PWH/PWH-F	260	366	685	345	218	270	210	200	100	92	252	14
NH-5010PWH/PWH-F	260	366	719	345	218	270	210	200	100	92	252	14

PW-H Series

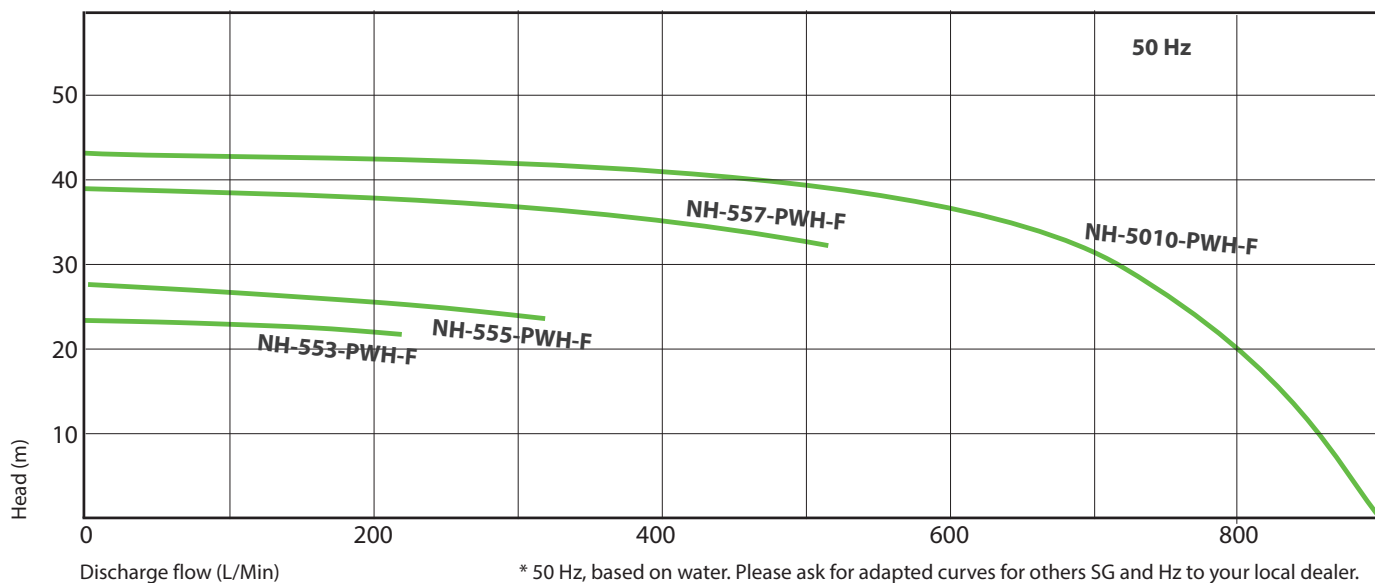
PWH Performance curve

Nominal speed : 2860 r.p.m



PWH-F Performance curve

Nominal speed : 2860 r.p.m



PW-H / PWH-F 1.1 Specification table

Model	Connection method		Performance 50 Hz (3000 rpm)			Motor output	Net weight with motor (*)
	in x outlet	in x outlet	Max head	Max flow	Specific gravity (**)		
	flange (mm)	thread (inch)	m	l/min		kW	Kg
NH-553PW-H	65 x 50	G2 1/2 x 2	29	140	1.1	2,2	74
NH-555PW-H	65 x 50	G2 1/2 x 2	37	320	1.1	3,7	87
NH-557PW-H	65 x 50	G2 1/2 x 2	43	500	1.1	5,5	120
NH-5010PW-H	65 x 50	G2 1/2 x 2	46	650	1.1	7,5	132

(*) IEC aluminium motor

(**) Impellers trimmed to SG 1.1

PW-H Series

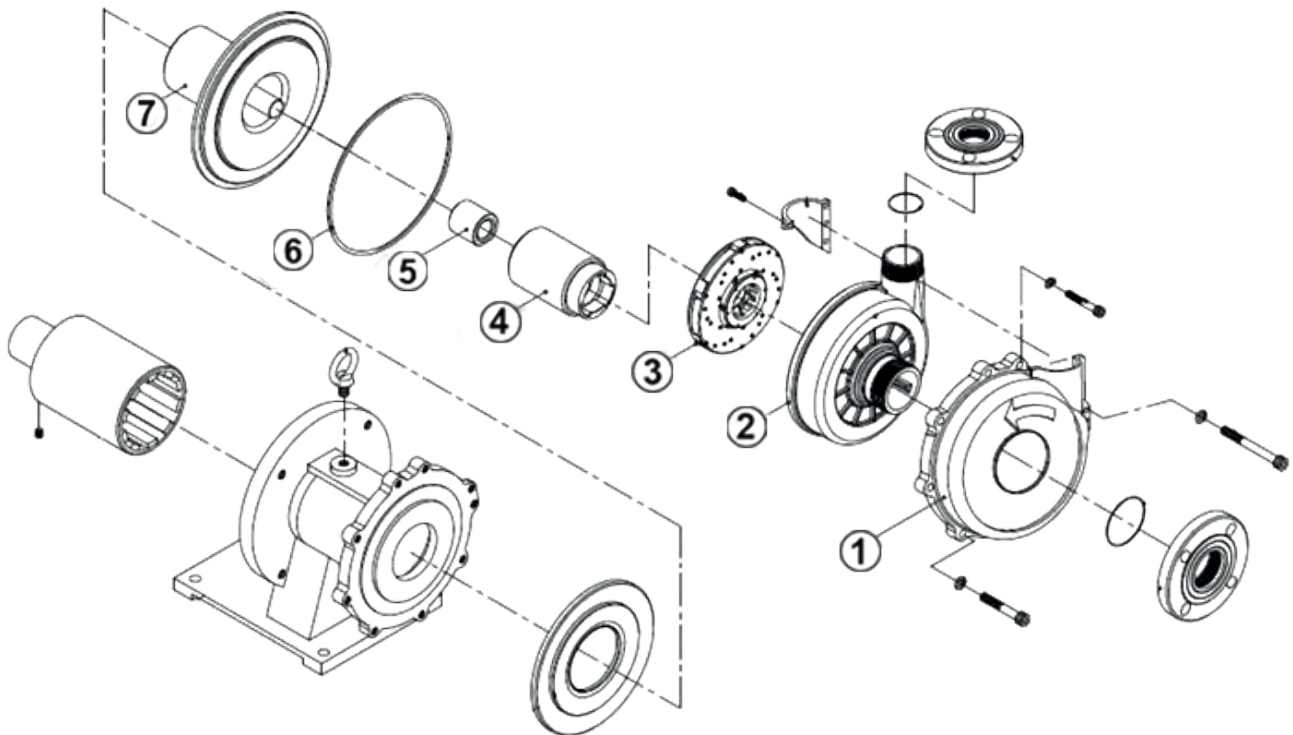
PWH-F 1.2 Specification table

Model	Connection method		Performance 50 Hz (3000 rpm)			Motor output	Net weight with motor (*)
	in x outlet	in x outlet	Max head	Max flow	Specific gravity (**)		
	flange (mm)	thread (inch)	m	l/min		kW	Kg
NH-553PWH-F	65 x 50	G2 1/2 x 2	27	240	1.2	2,2	74
NH-555PWH-F	65 x 50	G2 1/2 x 2	35	320	1.2	3,7	87
NH-557PWH-F	65 x 50	G2 1/2 x 2	41	500	1.2	5,5	120
NH-5010PWH-F	65 x 50	G2 1/2 x 2	43	900	1.2	7,5	132

(*) IEC aluminium motor

(**) Impellers trimmed to SG 1.2.

Parts Lists



No.	Description	Materials	
		PW-H	PW-H-F
1	Cover unit	Cast iron	Cast iron
2	Front casing	PPG	ETFE
3	Impeller	PPG	ETFE
4	MG Capsule	PPG	ETFE
5	Sleeve Bearing Unit	Carbon	High density carbon
		Rulon	Rulon
		Oxide Alumina Ceramic	Oxide Alumina Ceramic
		SiC	SiC
6	O-Ring	FKM	FKM
		EPDM	EPDM
7	Rear Casing	PPG	ETFE

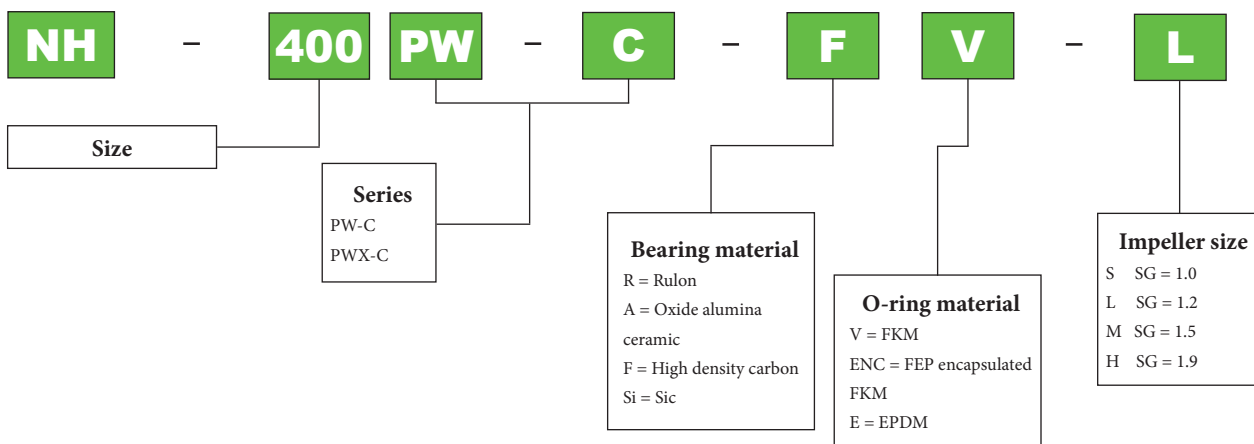
PW-C Series

Industrial pump for tough environments. The inner ETFE body is reinforced with a thick cast iron housing, increasing its mechanical strength and resistance to elevated temperatures. Pump is suitable for outdoor installation or demanding environmental conditions, with possibility of ATEX certification.

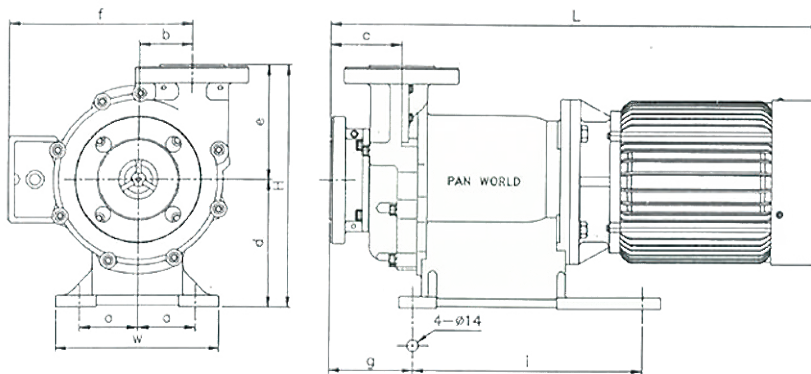


- Construction materials: Cast Iron coated ETFE
- Connections: DIN or ANSI Flanges
- Flow rate (50Hz) up to 1500 L/min and total discharge head of 44 m.

Ordering Information



Installation Dimensions

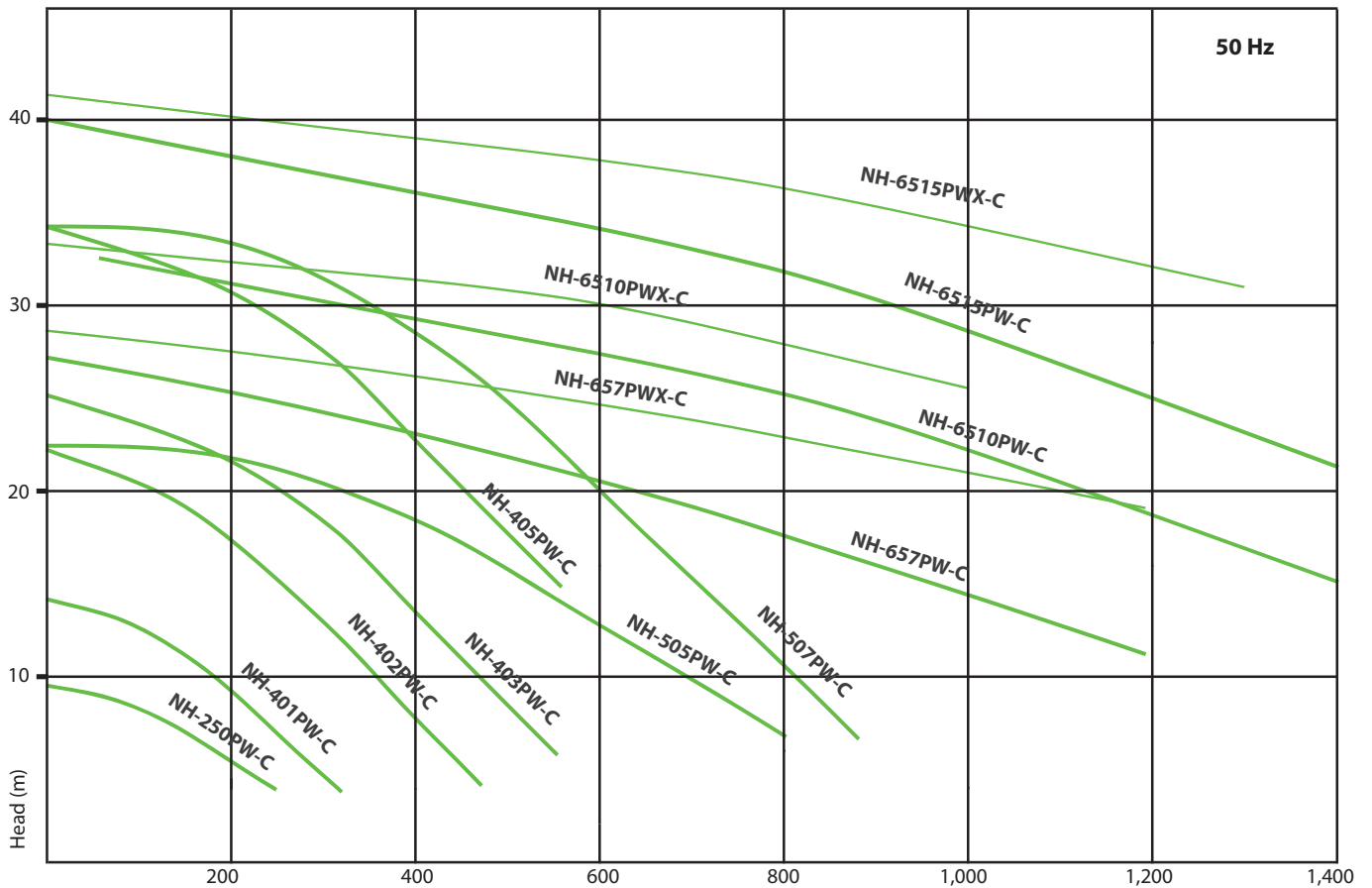


Model	W	H	L	a	b	c	d	e	f	g	i
NH-250PW-C	155	237	490	55	51	88	115	122	147	95	146
NH-401PW-C	195	275	529	65	58	105	135	140	152	111	250
NH-402PW-C	200	295	603	70	65	87	155	140	166	106	275
NH-403PW-C	200	295	603	70	65	87	155	140	166	106	275
NH-405PW-C	200	295	676	70	65	87	155	140	188	106	275
NH-505PW-C	260	325	720	105	62	110	175	150	188	130	305
NH-507PW-C	260	325	786	105	62	110	175	150	261	130	305
NH-657PW-C	280	360	798	110	-	118	175	185	261	195	320
NH-6010PW-C	280	360	798	110	-	118	175	185	261	195	320
NH-6515PW-C	350	385	984	110	-	118	200	185	281	195	320
NH-6520PW-C	350	385	984	110	-	118	200	185	281	195	320
NH-657PWX-C	280	360	743	110	-	118	175	-	252	193	320
NH-6510PWX-C	280	360	743	110	-	118	175	-	252	193	320
NH-6515PWX-C	350	385	918	150	-	118	200	-	285	193	320

PW-C Series

PW-C / PWX-C Performance curve

Nominal speed : 2900 r.p.m



Discharge flow (L/Min) * 50 Hz, based on water. Impellers trimmed to SG 1.2. Please ask for adapted curves for others SG and Hz to your local dealer.

PW-C / PWX-C Specification table

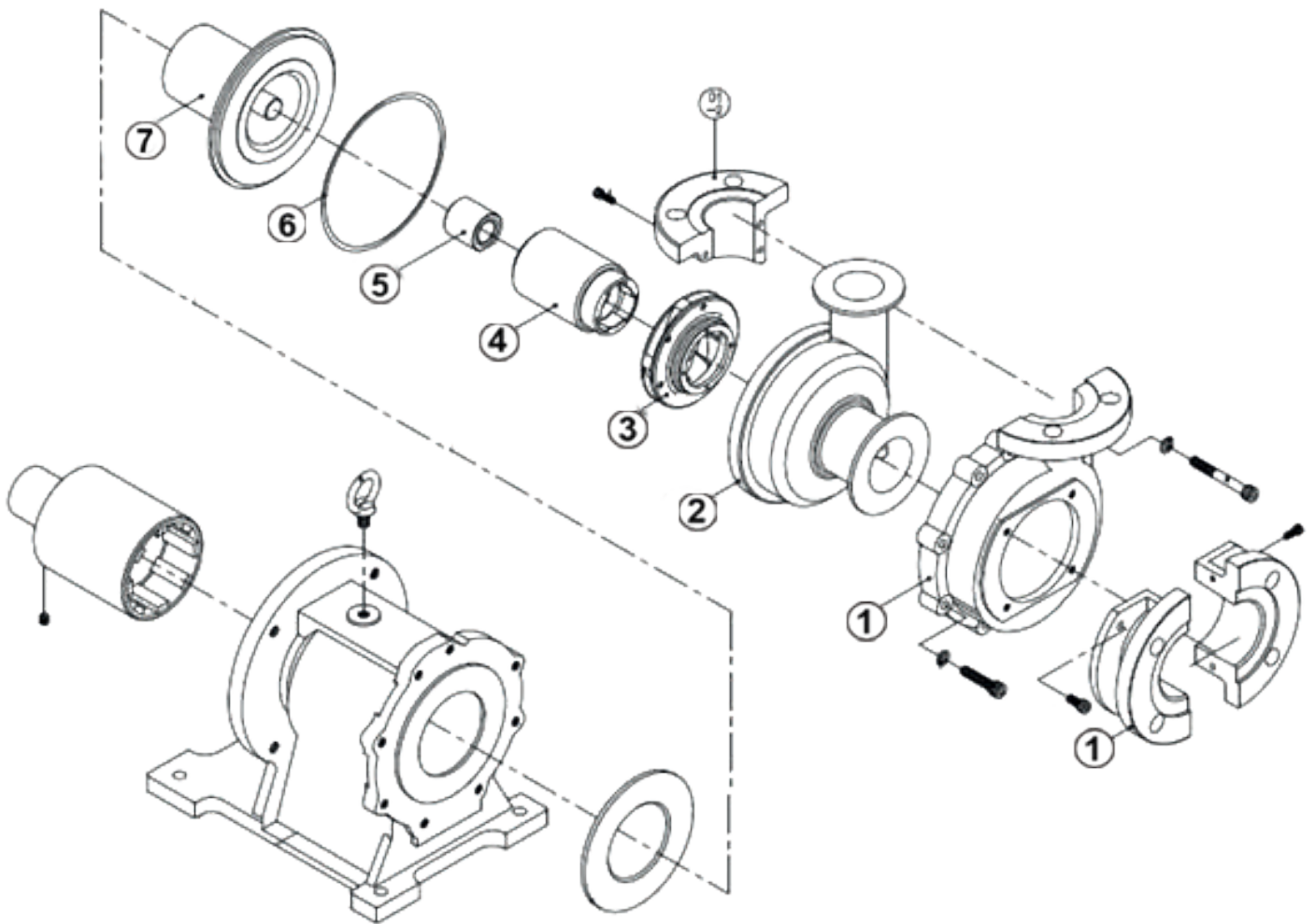
Model	Connection method		Performance 50 Hz (3000 rpm)			Motor output	Net weight with motor (*)
	in x outlet	in x outlet	Max head	Max flow	Specific gravity (**)		
	flange (mm)	thread (inch)	m	l/min	(**)	kW	Kg
NH-250PW-C	25 x 25	G1 x 1	9	215	1.2	0,37	22
NH-401PW-C	40 x 40	G1 1/2 x 1 1/2	14	350	1.2	0,75	35
NH-402PW-C	50 x 40	G2 x 1 1/2	23	440	1.2	1,5	41
NH-403PW-C	50 x 40	G2 x 1 1/3	25	530	1.2	2,2	43
NH-405PW-C	50 x 40	G2 x 1 1/4	34	570	1.2	3,7	65
NH-505PW-C	65 x 50	G2 1/2 x 2	22	800	1.2	3,7	80
NH-507PW-C	65 x 50	G2 1/2 x 2	34	880	1.2	5,5	97
NH-657PW-C	80 x 50	G3 x 2	26	1200	1.2	5,5	101
NH-6510PW-C	80 x 50	G3 x 3	33	1250	1.2	7,5	115
NH-6515PW-C	80 x 50	G3 x 4	41	1500	1.2	11,0	159
NH-6520PW-C	80 x 50	G3 x 5	52	1400	1.2	15,0	181
NH-657PWX-C	80 x 50	G3 x 2	29	1200	1.2	7,5	115
NH-6510PWX-C	80 x 50	G3 x 2	33	1000	1.2	7,5	115
NH-6515PWX-C	80 x 50	G3 x 2	42	1300	1.2	11,0	159

(*) IEC aluminium motor

(**) Impellers trimmed to SG 1.2.

PW-C Series

Parts Lists

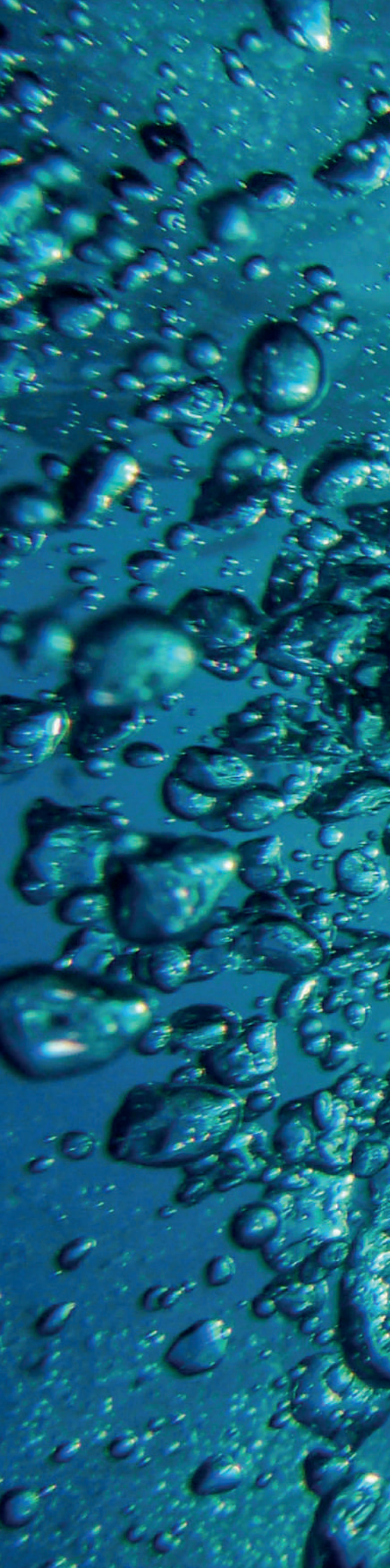


No.	Description	Materials	
		PW-C	PWX-C
1	Cover unit	Cast iron	Cast iron
2	Front casing	ETFE	
3	Impeller	ETFE	
4	MG Capsule	ETFE	
5	Sleeve Bearing Unit	High Density Carbon	High Density Carbon
		Rulon	Rulon
		Oxide Alumina Ceramic	Oxide Alumina Ceramic
		SiC	SiC
6	O-Ring	FKM	FKM
		EPDM	EPDM
		FEP encapsuled FKM	FEP encapsuled FKM
7	Rear Casing	ETFE	

Chemical Compatibility Table

Ref N°	Product	S.G.	Max. Conc. %	Body Material			Bearing				O-Ring		
				PPG	PVDF	ETFE	GRAPHITE	RULON	CERAMIC	SIC	FKM	NBR	EPDM
1	Acetic acid	1,05	50	B	B	A	A	A	A	A	C	C	A
2	Acetone	0,79	100	C	C	A	A	A	A	A	C	C	A
3	Butyl Alcohol	0,81	100	A	A	A	A	A	A	A	A	C	A
4	Calcium Chloride	1,39	40	A	A	A	A	A	A	A	A	A	A
5	Calcium Nitrate	1,17	25	A	A	A	A	A	A	A	A	A	A
6	Chloroform	1,5	100	C	B	A	A	A	A	A	A	C	C
7	Cyclohexanone	0,97	100	C	C	A	A	A	A	A	C	C	C
8	Citric Acid	1,33	50	A	A	A	A	A	A	A	A	A	A
9	Ethyl Acetate	0,9	100	B	C	A	A	A	A	A	C	C	B
10	Ethyl Alcohol	0,79	100	B	A	A	A	A	A	A	A	B	A
9	Ethylene Diamine	0,98	100	B	C	A	A	A	A	A	C	B	A
11	Ethylene Glycol	1,11	100	A	A	A	A	A	A	A	A	A	A
12	Ferric Chloride	1,4	38,5	A	A	A	A	A	A	A	A	A	A
13	Ferric Chloride	1,08	37	A	A	A	A	A	A	A	A	B	A
14	Hydrochloric Acid	0,68	100	C	A	A	A	A	A	A	A	C	C
15	Hydrofluoric Acid	1,18	38	C	A	A	A	A	A	A	A	C	C
16	Hydrogen Peroxide	1,23	70	C	A	A	A	B	C	A	B	C	C
17	Hypochlorous Acid	1,4	100	C	A	A	C	A	A	A	A	C	C
18	Lactic Acid	1,03	16	B	A	A	A	A	A	A	A	B	A
19	Methanol	0,79	100	B	A	A	A	A	A	A	C	A	A
20	Nitric Acid	1,35	50	C	A	A	C	A	A	A	A	C	C
21	Nitric Acid	1,51	98	C	A	A	C	A	A	A	A	C	C
22	Nitrous Acid	0,9	100	A	A	A	A	A	A	A	A	A	C
23	Perchloric Acid	1,46	40	C	A	A	A	A	A	A	A	C	B
24	Phosphoric Acid	1,25	40	B	B	A	A	A	A	A	A	C	B
25	Phosphoric Acid	1,69	85	B	B	A	A	A	A	A	A	C	B
26	Plating solution*												
27	Chrome	Chromic/Fluoride		B	C	A	A	A	A	A	C	C	B
28	Chrome	Fluorosilicate		C	C	A	A	A	A	A	C	C	B
29	Nickel	all baths		A	A	A	A	A	A	A	A	A	A
30	Gold	Acid/Cyanide		C	A	A	A	A	A	A	A	B	B
31	Tin	Fluoroborate		B	A	A	A	A	A	A	A	B	A
32	Tin	Lead plating		A	A	A	A	A	A	A	A	B	B
33	Zinc	Acid		A	A	A	A	A	A	A	A	B	A
34	Zinc	Alkaline		C	A	A	A	A	A	A	A	A	A
35	Potassium Hydroxide	1,45	53	B	A	A	A	A	A	A	A	A	A
36	Potassium Perchlorate	1,29	30	B	A	A	A	A	A	A	C	B	A
37	Sea Water	1,04	6	A	A	A	C	A	A	A	A	C	A
38	Sodium Bisulfite	1,18	Sat	A	A	A	A	A	A	A	A	A	A
39	Sodium Carbonate	1,1	10	A	A	A	A	A	A	A	A	A	A
40	Sodium Hydroxide	1,19	25	A	A	A	A	A	A	A	A	A	A
41	Sodium Hydroxide	1,11	10	A	A	A	A	A	A	A	C	A	A
42	Sodium Hydroxide	1,53	50	B	A	A	A	A	A	A	C	B	A
43	Sodium Hypochlorite	1,14	12	C	A	A	C	A	A	A	A	C	B
44	Sodium Phosphate	1,02	4	A	A	A	A	A	A	A	A	A	A
45	Sulphuric Acid	1,84	98	C	A	A	A	A	A	A	A	C	C
46	Sulphurous Acid	1,06	10	A	A	A	A	A	A	A	A	B	B
47	Urea formol	0,87	100	C	A	A	A	A	A	A	C	C	C
48	Toluene	1,46	100	C	B	A	B	B	A	A	A	C	C
49	Trichloroethylene	1,32	100	A	A	A	A	A	A	A	A	B	A
50	Xylene	0,86	100	C	A	A	A	A	A	A	B	C	C

Ratings: A: Good; B: Moderate effect, C: Not recommended
 The accuracy of these ratings cannot be guaranteed by Pan World.
 *Take special care about maximum temperature of the materials
 Elevated temperature may affect the chemical compatibility



www.panworldeurope.com



info@panworldeurope.com

